

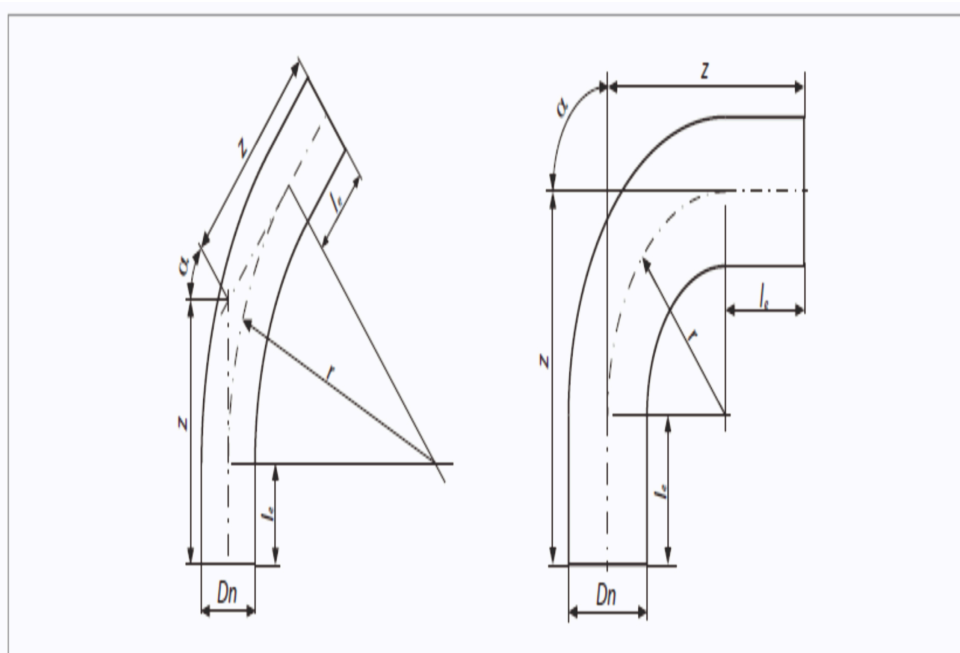


Bends RC MULTIsafe® 2L, 3L and PE 100 Smart 2L®

[Download the new catalog](#)

Category: Accessories for pipes

Description



Summary of bends dimensions *

DN	$\alpha = 45^\circ$		$\alpha = 90^\circ$	
	$l_e \text{ min}$	z_{min}	$l_e \text{ min}$	z_{min}
90	150	280	150	465
110	150	309	150	535

125	150	331	150	640
140	150	353	150	710
160	150	440	150	849
225	150	476	150	937
250	250	612	250	1124
280	250	609	250	890
315	300	685	300	1026
355	300	761	300	1064
400	300	813	300	1129
450	300	930	300	1395
500	350	1066	350	1411
560	350	1118	350	1680
630	500	1170	500	1803
710	500	1581	500	2555
800	500	1785	500	2843
900	500	1989	500	3136
1000	**	**	**	**

* Other angles available after inquiry.

** Dimensions of bend DN1000 mm are agreed individually.

Related products

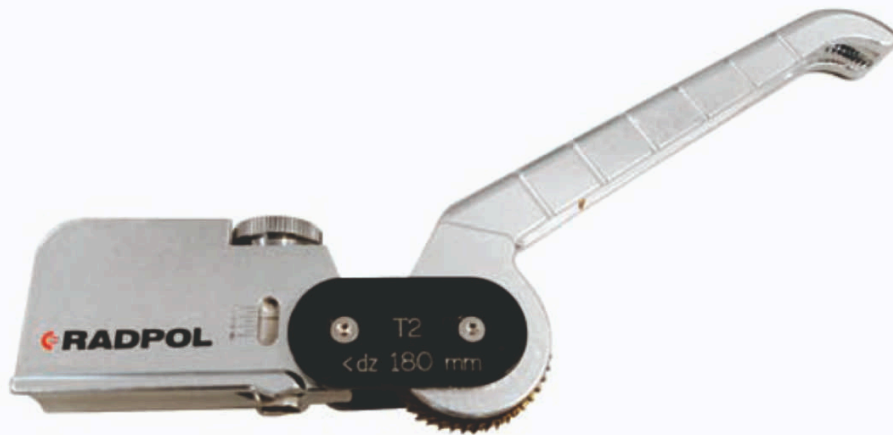


Tapes for connecting detection tapes in pipes



Heat-shrink sleeves for pipes RC MAXIprotect® PP/PE-d

[Download the new catalog](#)



Knives for removing the external jacket from RC MAXIprotect® PP/PE pipes

[Download the new catalog](#)