

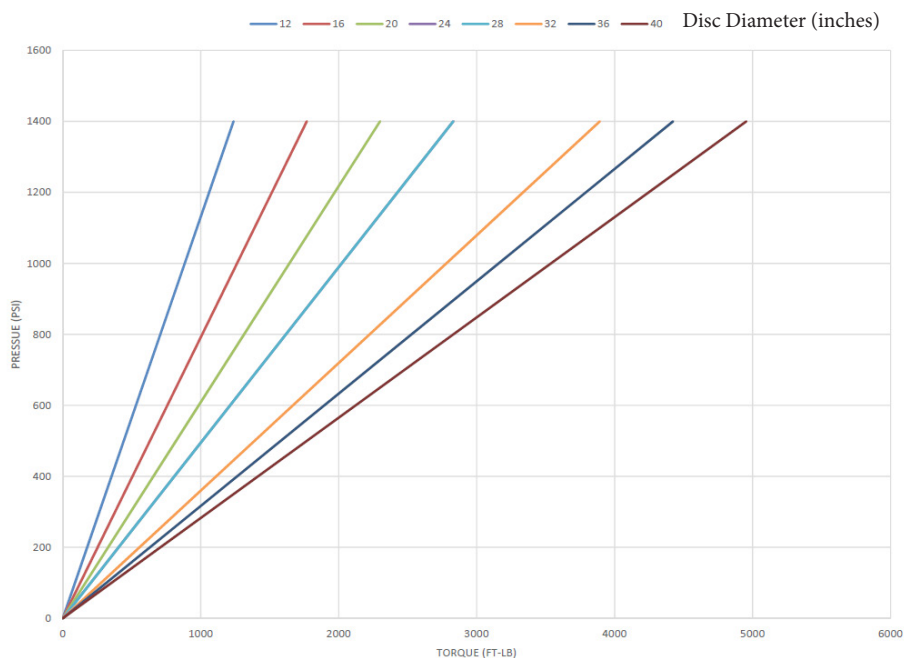
## Hydraulically Applied, Spring Released Caliper Brakes

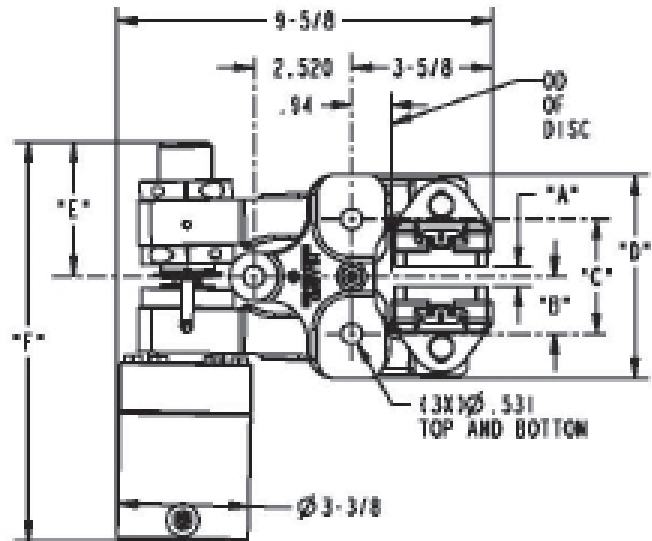
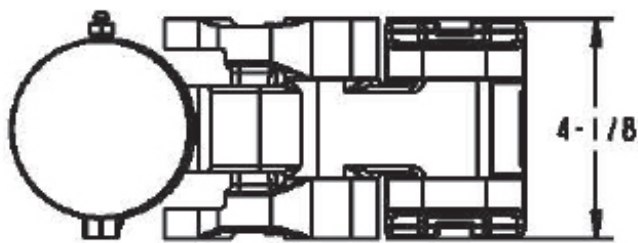
### A300-T300 HS Brake Caliper

The A300 is an arm style caliper brake designed to accept a large selection of Hilliard thrusters. These thrusters include spring applied hydraulic released, spring applied pneumatic released, hydraulic applied spring released, and pneumatic applied spring released. The A300 requires a minimum disc diameter of 12" and is offered in 4 sizes to accommodate a 1/2", 1", 1-3/16", and 1-1/2" thick disc. The design of the caliper allows the user to quickly convert between right and left handed designs eliminating the need for multiple part numbers.

The HS thruster is a direct applied thruster that is hydraulically applied spring released.  
*The T300 HS thruster produces a maximum braking force of 3200 pounds at the maximum operating pressure of 1400 psi. (When used with the A300 Caliper)*

### A300-T300 HS





**A300 CALIPER WITH T300 HS THRUSTER**

Caliper Model	"A" Disc Thickness	"B"	"C"	"D"	"E"	"F"
A300-13	1/2"	1.48"	2.95"	5- 1/4"	4"	10- 3/4"
A300-24	1"	1.66"	3.31"	5- 9/16"	4"	10- 13/16"
A300-30	1- 3/16"	1.48"	2.95"	5- 13/16"	4"	10- 7/8"
A300-40	1- 1/2"	1.66"	3.31"	6- 1/16"	3.5"	11- 1/16"

Maximum Operating Pressure: 1400 psi

Total Brake Weight: 36 lbs. (116.2 kg)

Caliper Weight: 24 lbs. (10.8 kg) Thruster Weight: 12 lbs. (5.4 kg)

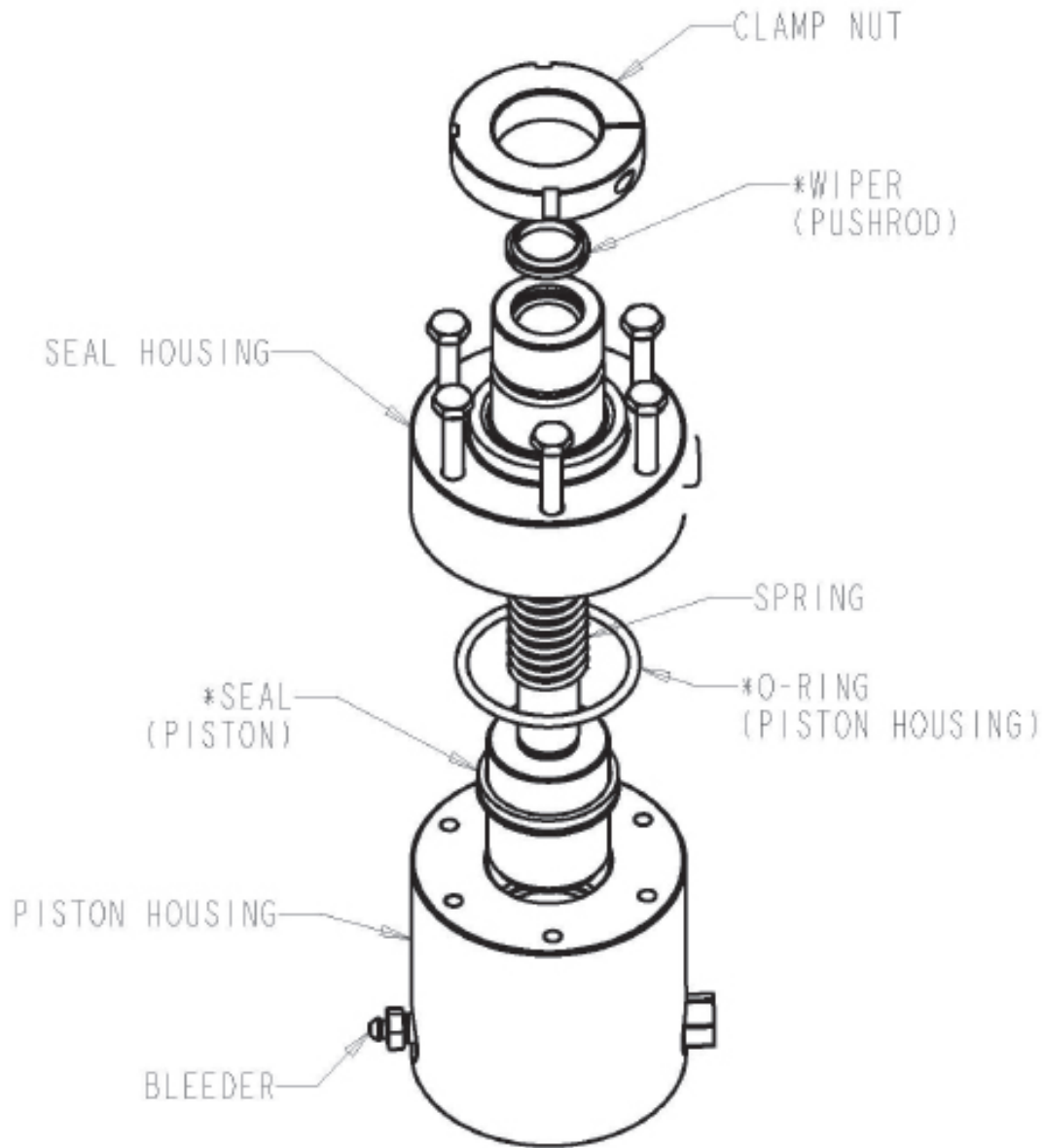
Friction Pad Area: 16 SQ. IN. [103 SQ Cm]

Oil Volume: .35 in.<sup>3</sup> at Recommended Gap Setting

Brake Path: 2.625 in (67 mm)

Braking Torque at Max. Operating Pressure (lb-ft)= 267\* (Disc Radius(in)-1.34)

HS THRUSTER



\* RECOMMENDED SPARE PART (SEALS & O-RINGS AVAILABLE AS A KIT)

---

The Hilliard Corporation  
100 West 4th St.  
Elmira, NY 14902-1504 USA [www.hilliardcorp.com](http://www.hilliardcorp.com)  
PH: 607-733-7121 FAX: 607-737-1108  
[www.hilliardbrakesystems.com](http://www.hilliardbrakesystems.com)  
[hilliard@hilliardcorp.com](mailto:hilliard@hilliardcorp.com)



**Hilliard**

YOUR LOCAL REPRESENTATIVE:

